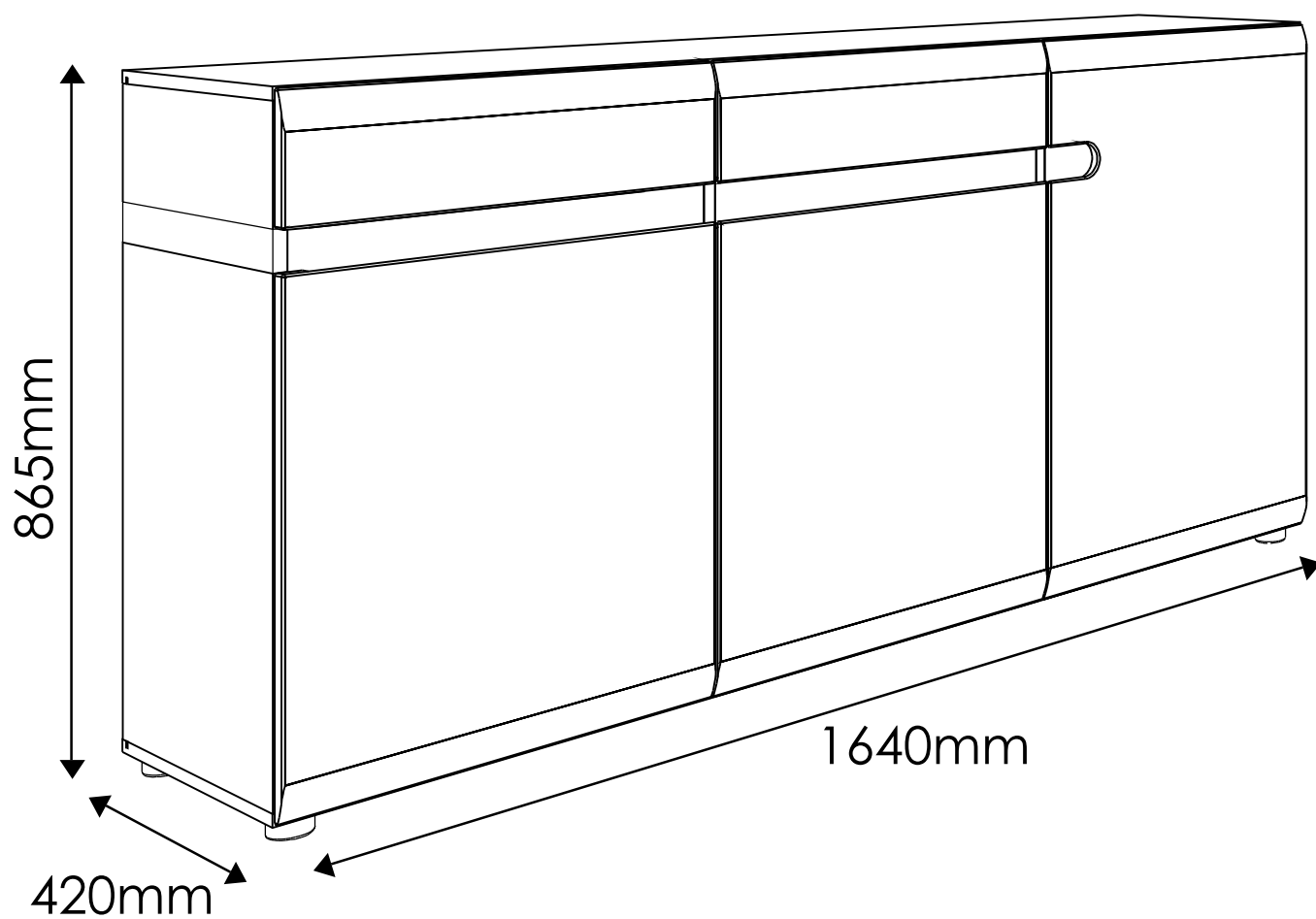


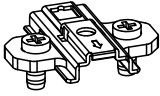
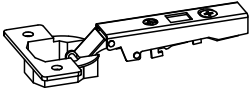
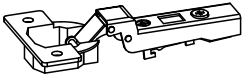
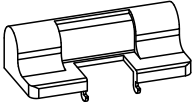
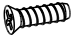






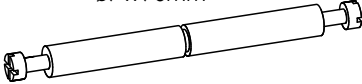


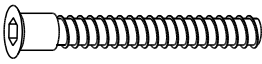



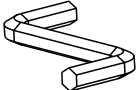

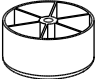
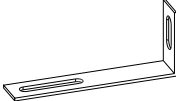

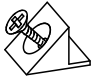
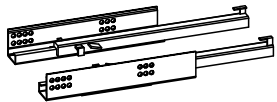


LYNATET TYP 40



A1 26 x $\varnothing 8 \times 35\text{mm}$ 	A3 1 x $\varnothing 8 \times 60\text{mm}$ 	BC0 6 x 
BC1 4 x 	BC2 2 x 	BC5 3 x 
C1 12 x 4 x 13mm 	C2 8 x 5 x 13mm 	D2 16 x 
E0a 4 x (do E1) 	E0b 12 szt. (E1) 	E1 16 x - $\varnothing 15 \times 12\text{mm}$ 
F1 14 x $\varnothing 6 \times 34\text{mm}$ 	F4 1 x $\varnothing 7 \times 76\text{mm}$ 	G0a 8 x (G1) 
G0b 4 x (G1) 	G1 12 x f7x 50mm 	I2 1 x 4 x 16mm 
I10 6 x 3,5 x 22mm 	J6 4 x 4 x 30mm 	M 1 x 
N1 20 x US 3 x 16mm 	O15 6 x 50x25f 	Q9 1 x 78x32 
R1 10 x 	R4 16 x 	T11 2 x L-360 

MM

260

250

240

230

220

210

200

190

180

170

160

150

140

130

120

110

100

90

80

70

60

50

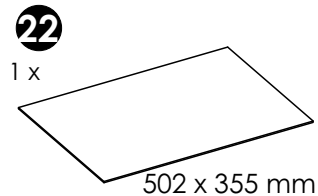
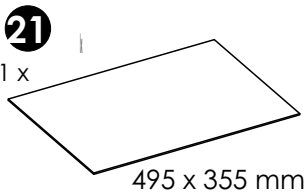
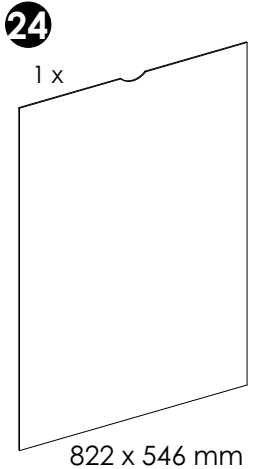
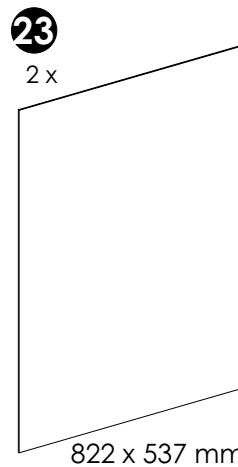
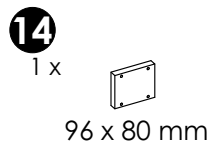
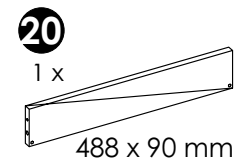
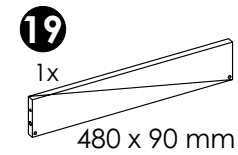
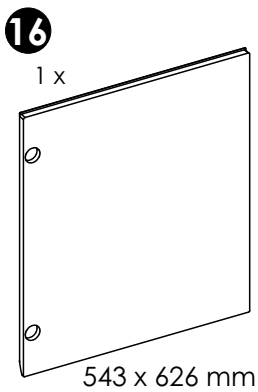
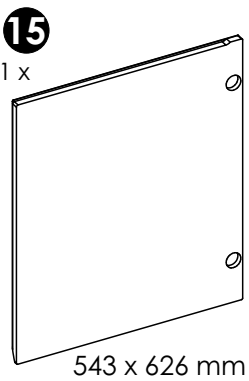
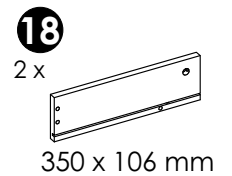
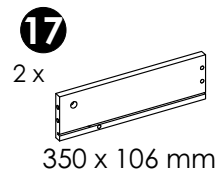
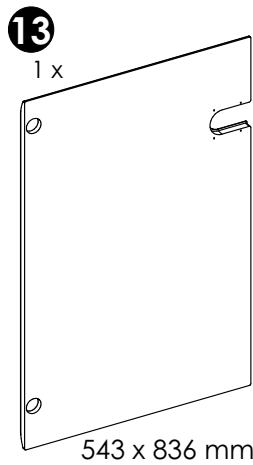
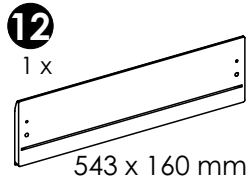
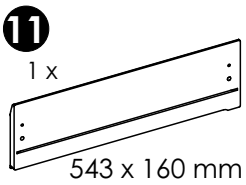
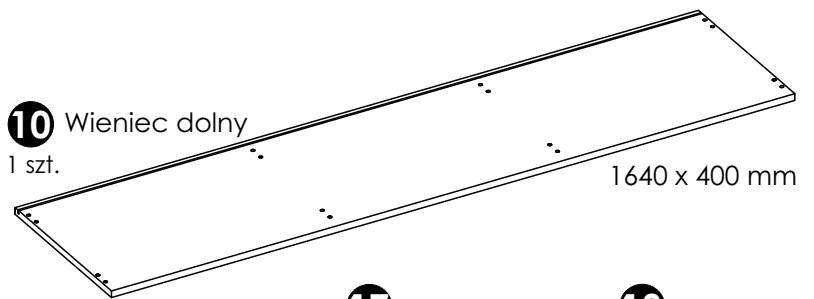
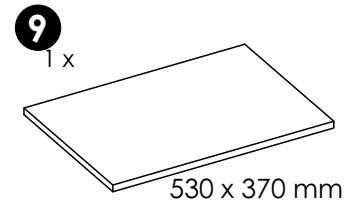
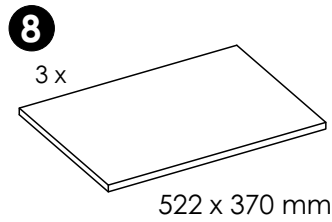
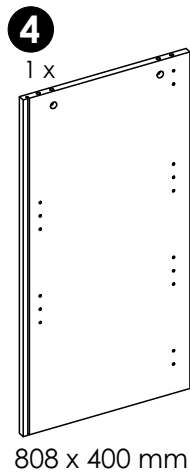
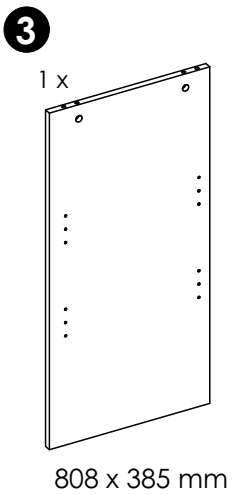
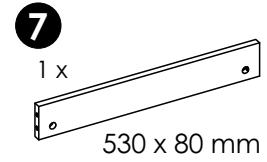
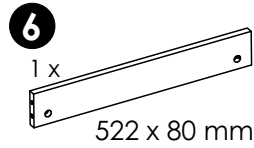
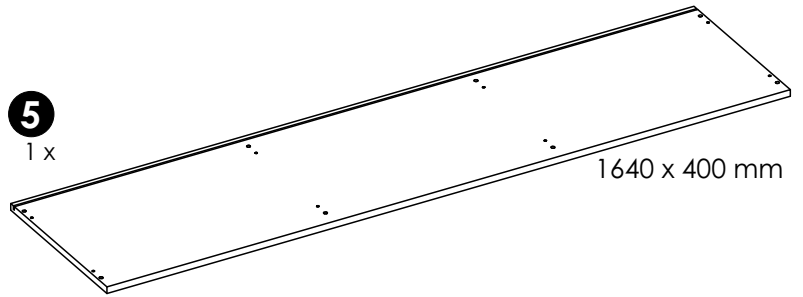
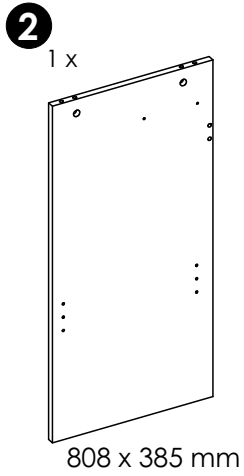
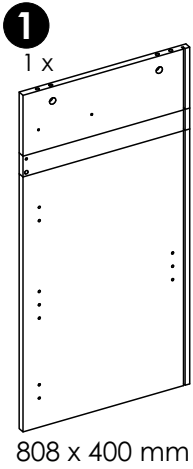
40

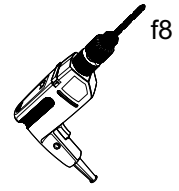
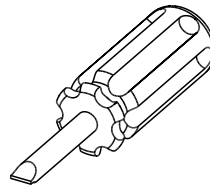
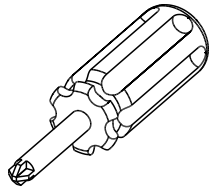
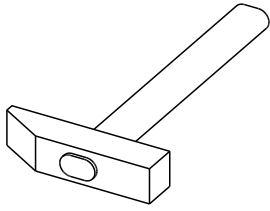
30

20

10

0



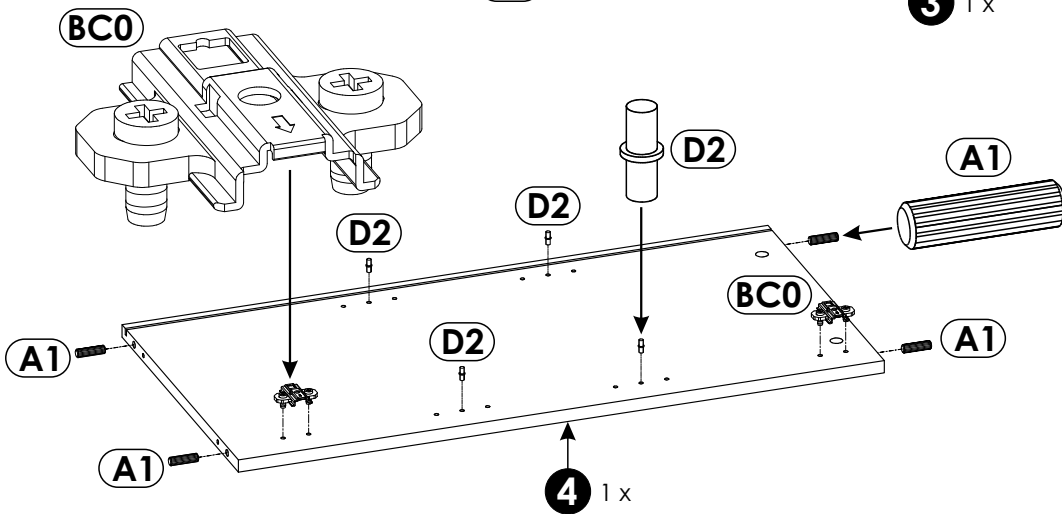
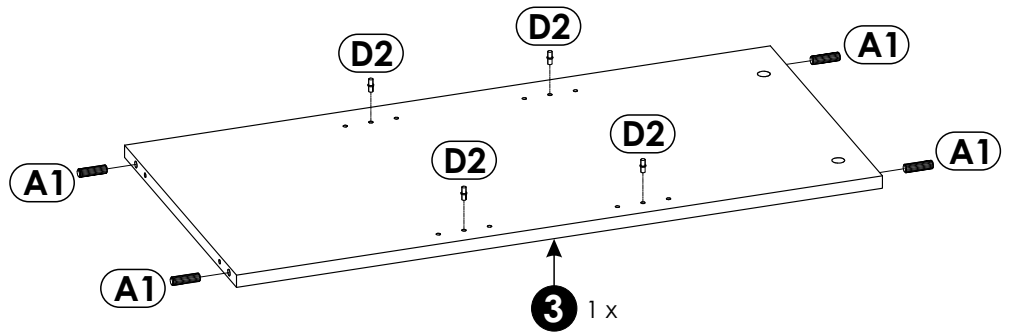
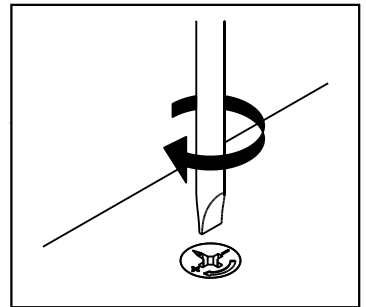
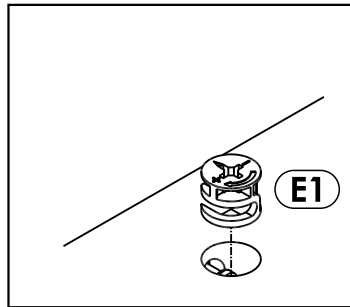
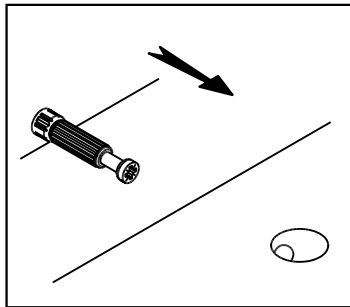
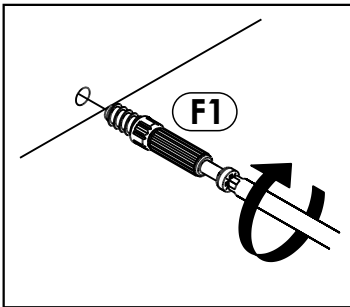


1:

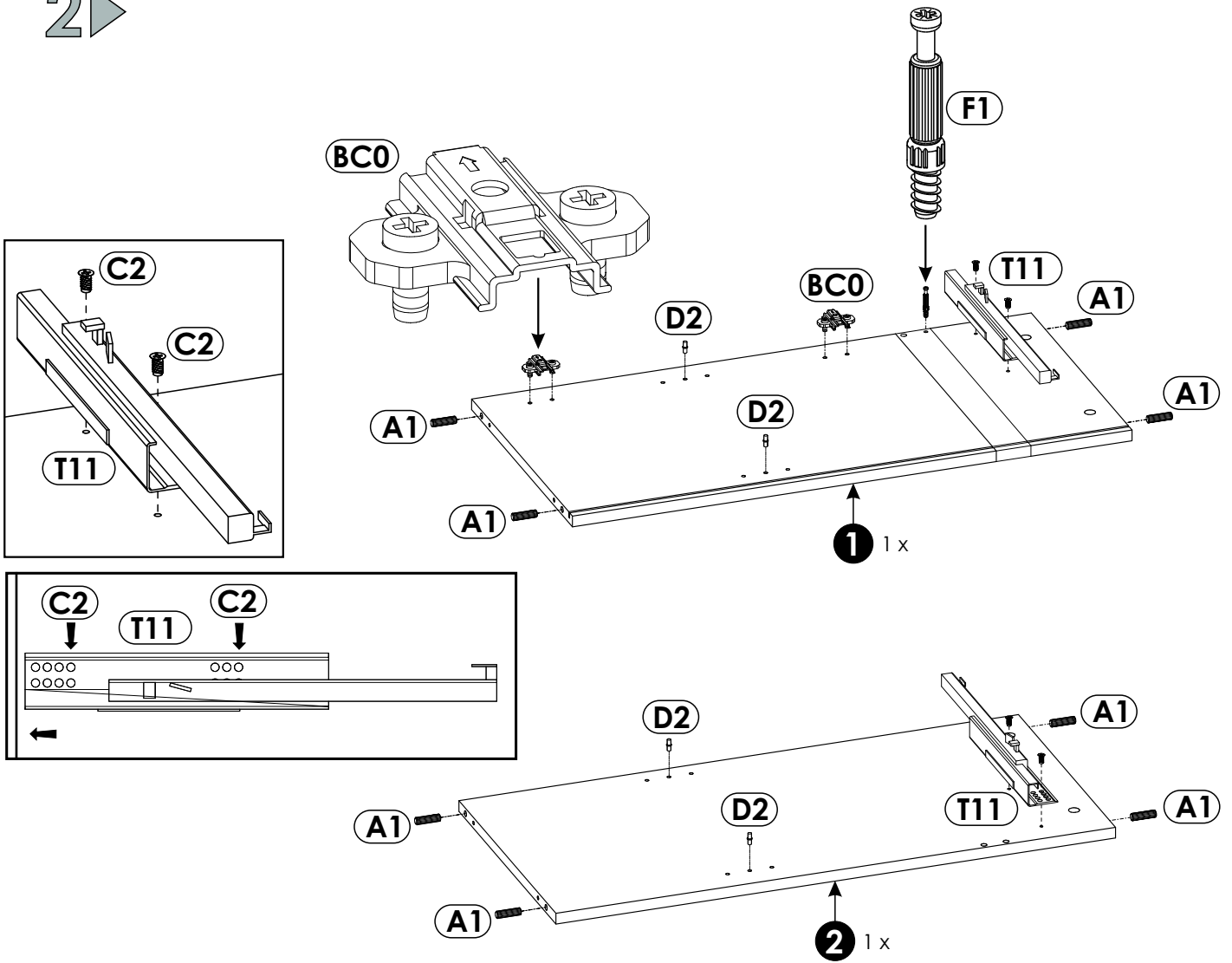
2:

3:

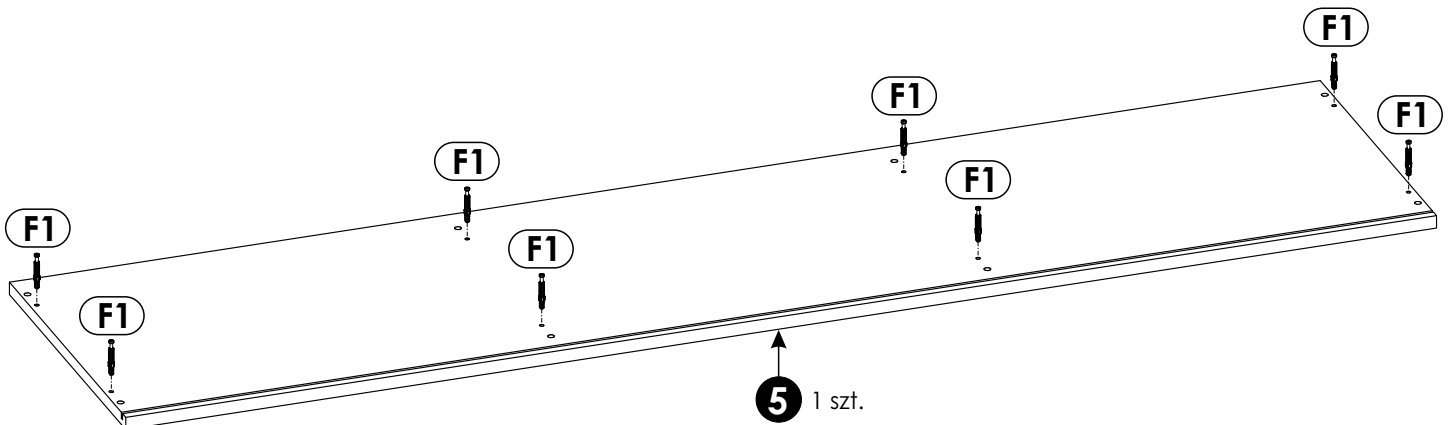
4:



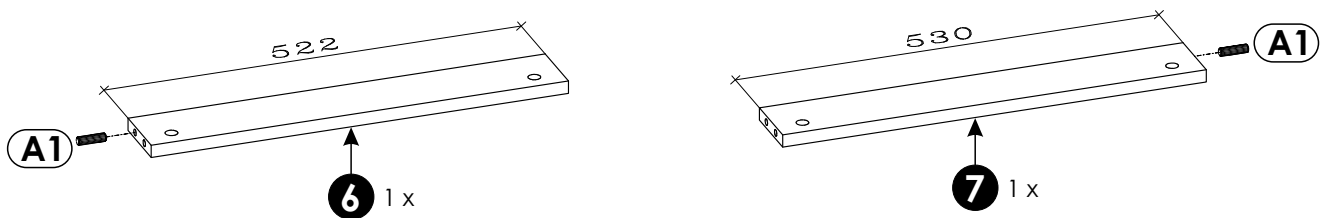
2 ▶



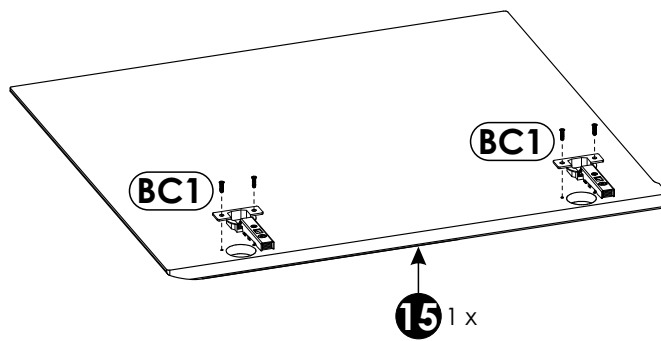
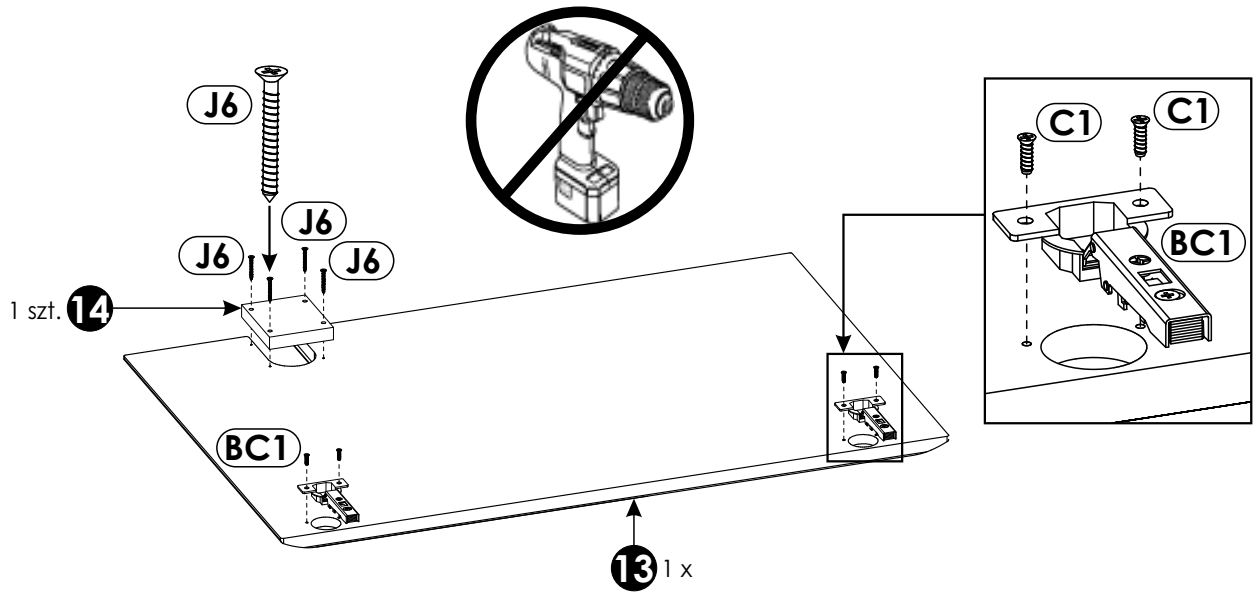
3 ▶



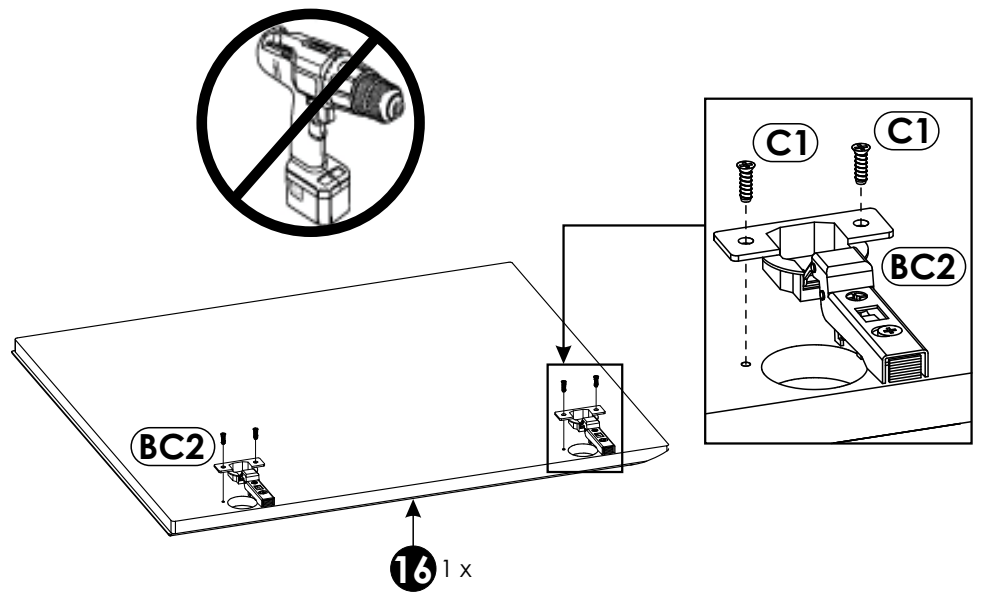
4 ▶



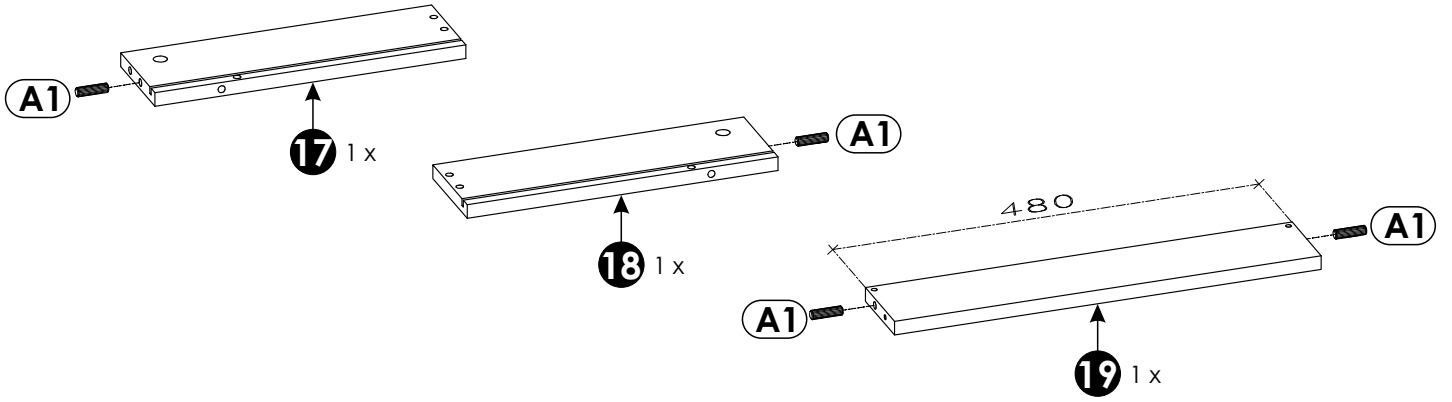
5 ▶



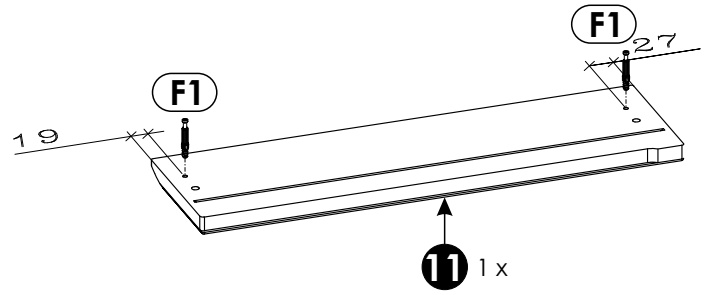
6 ▶



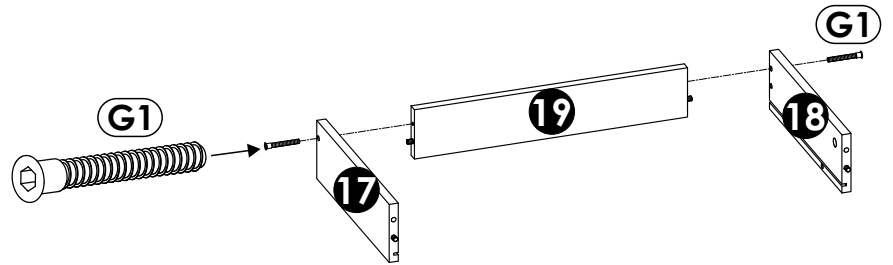
7 ▶



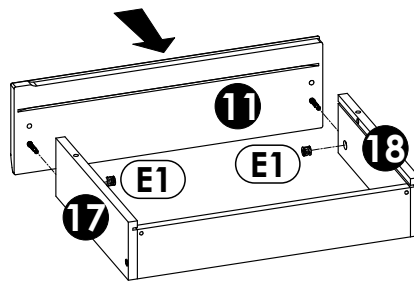
8 ▶



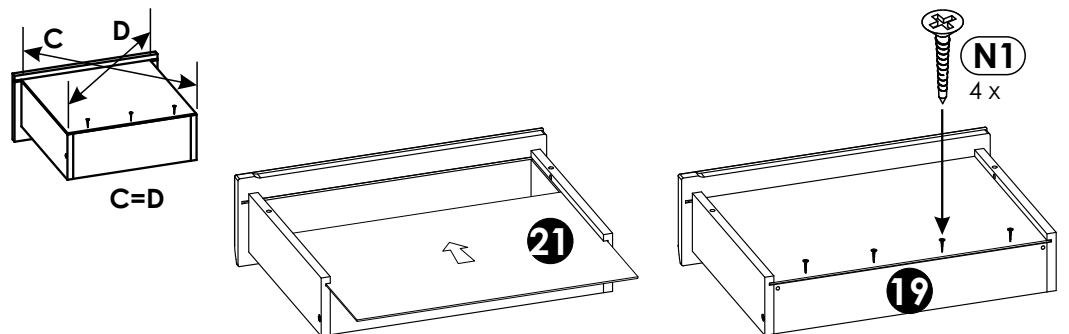
9 ▶



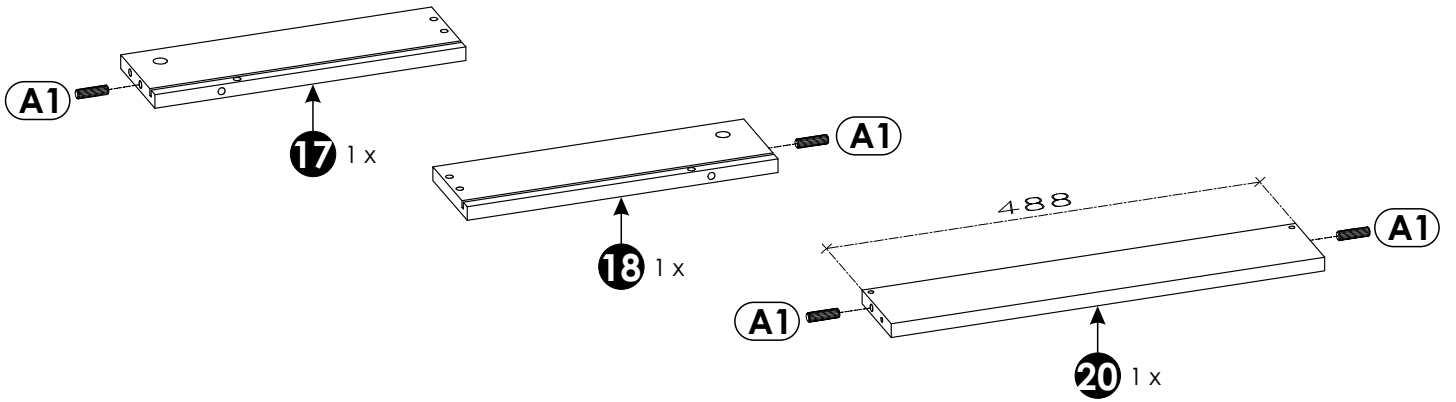
10 ▶



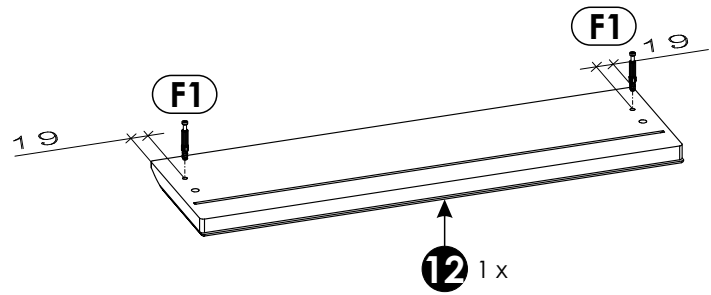
11 ▶



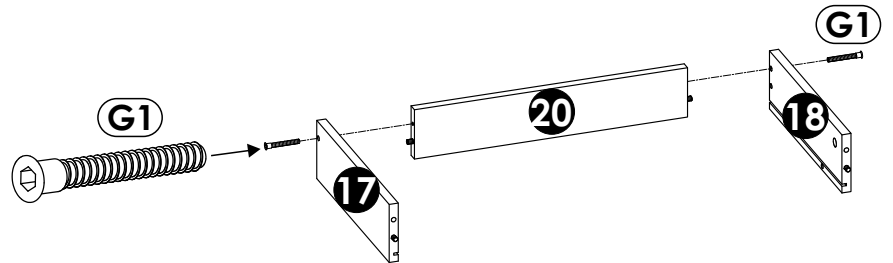
12▶



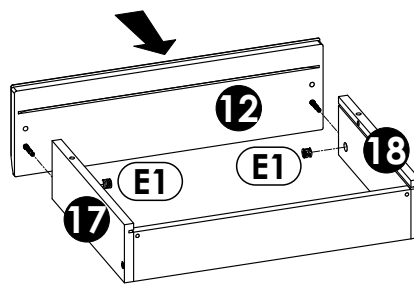
13▶



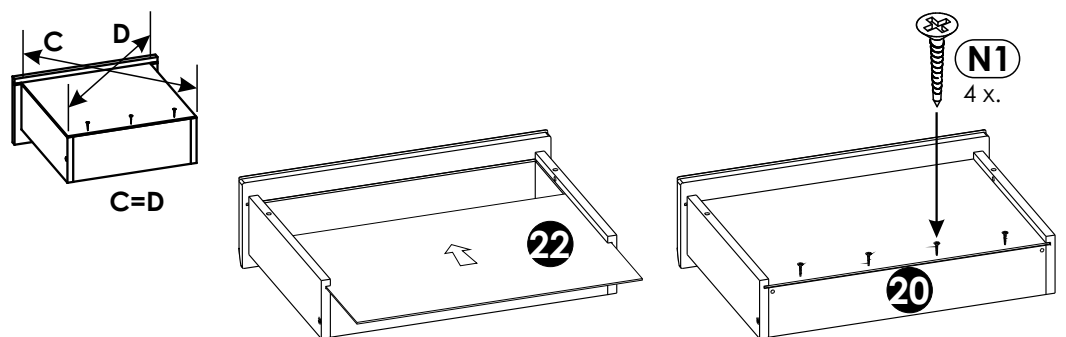
14▶



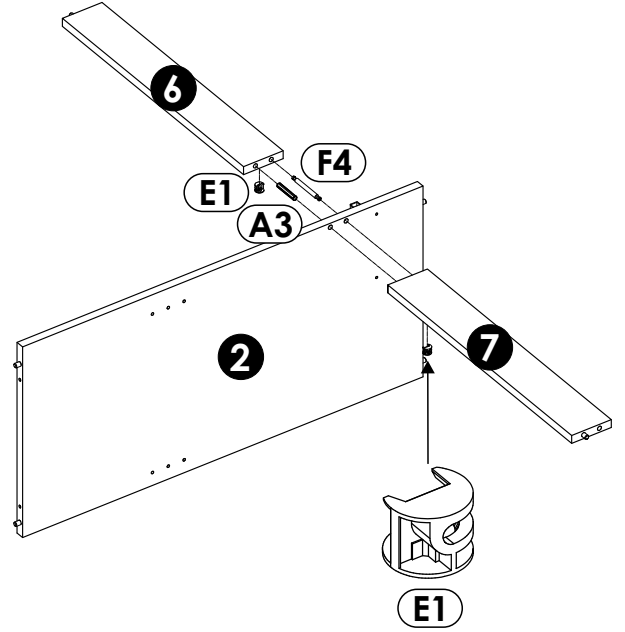
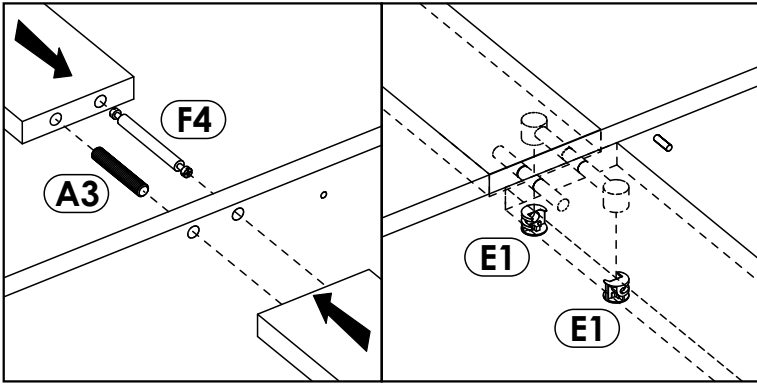
15▶



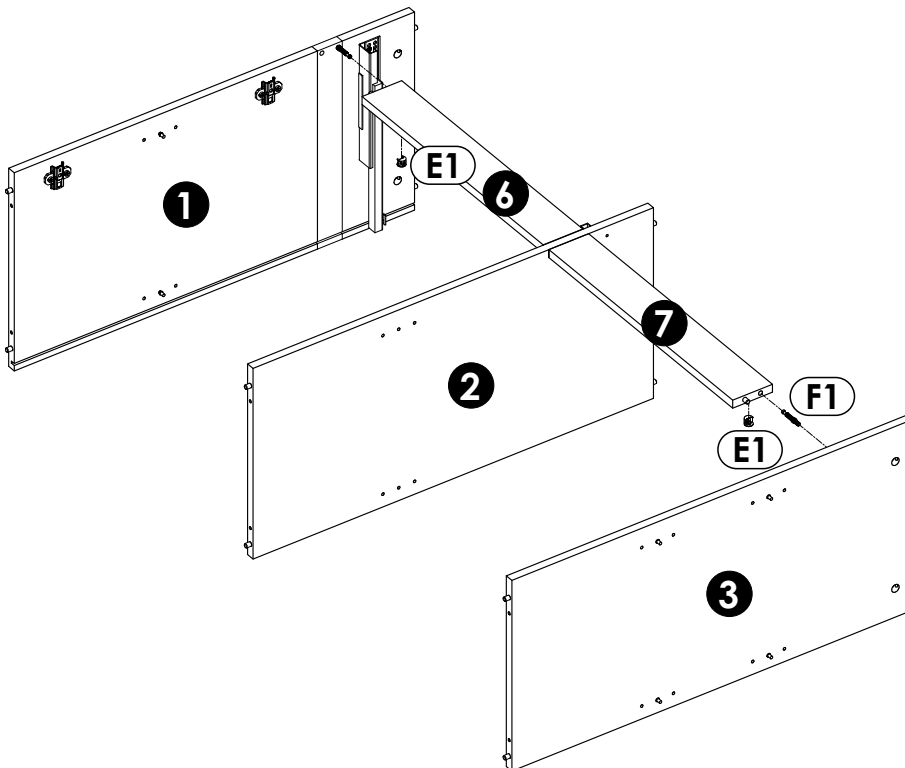
16▶



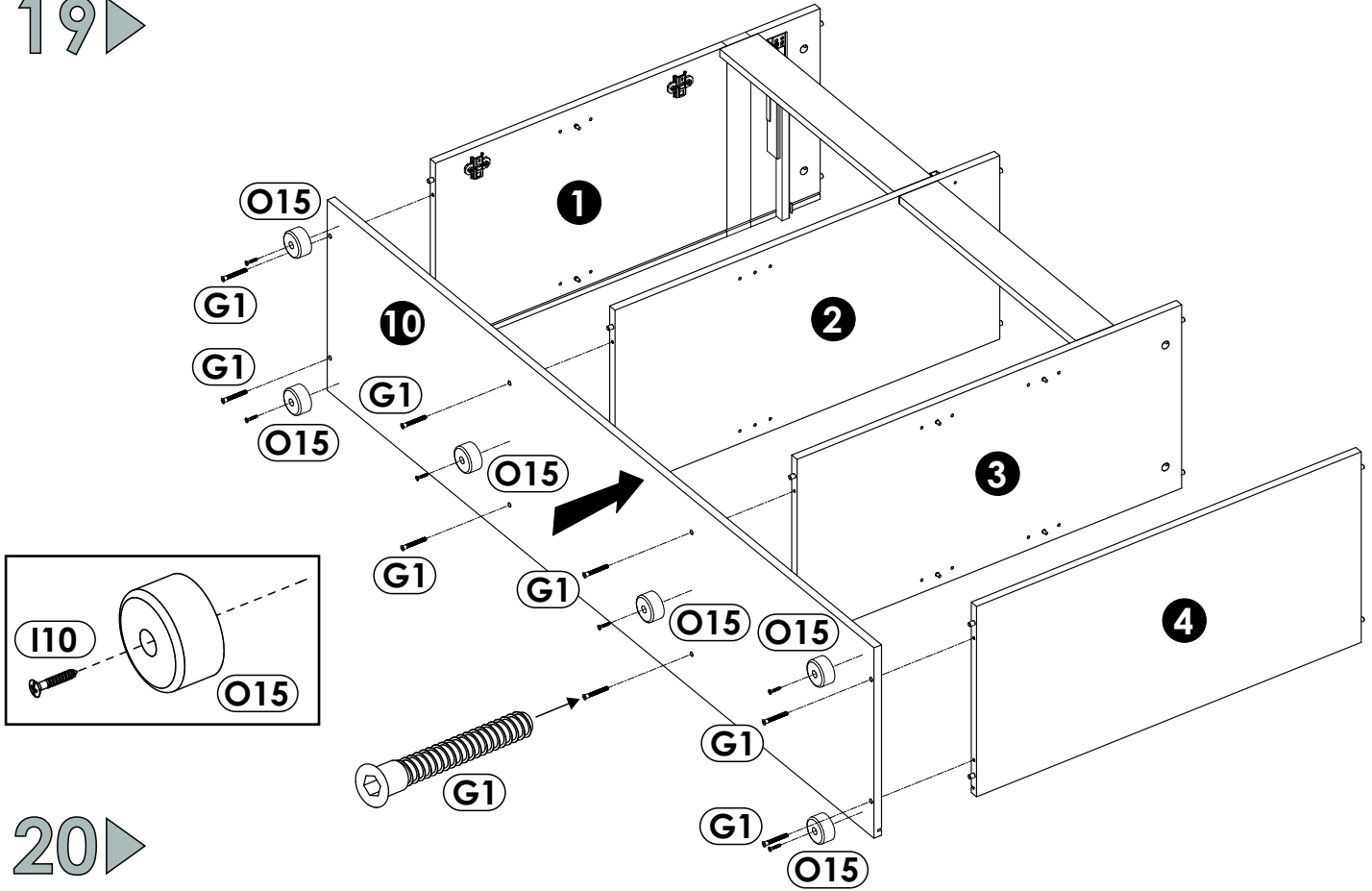
17▶



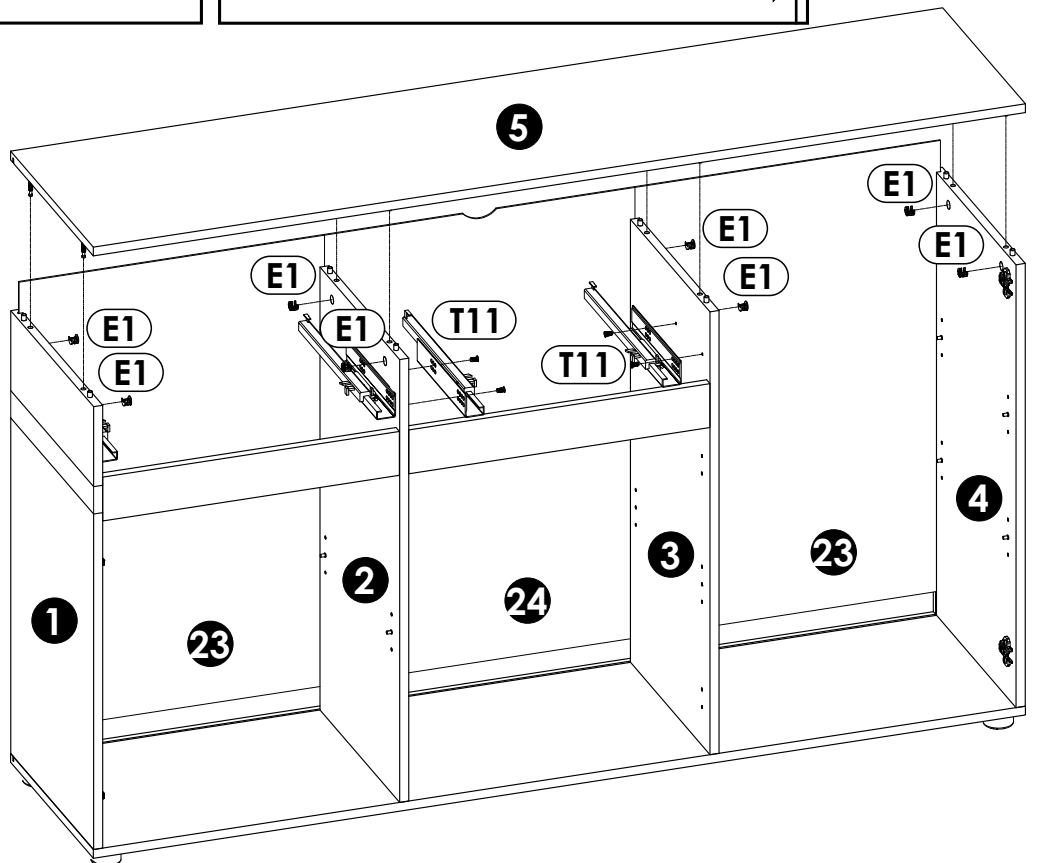
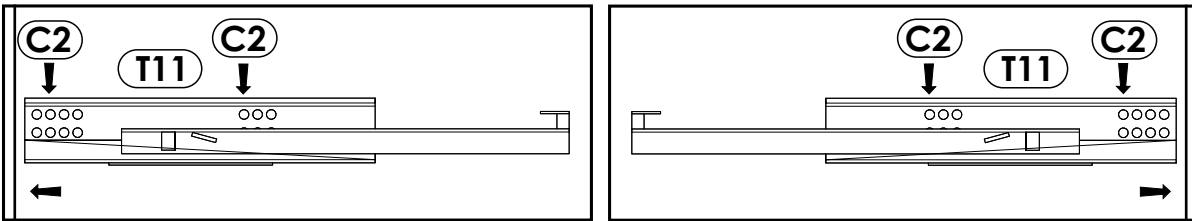
18▶



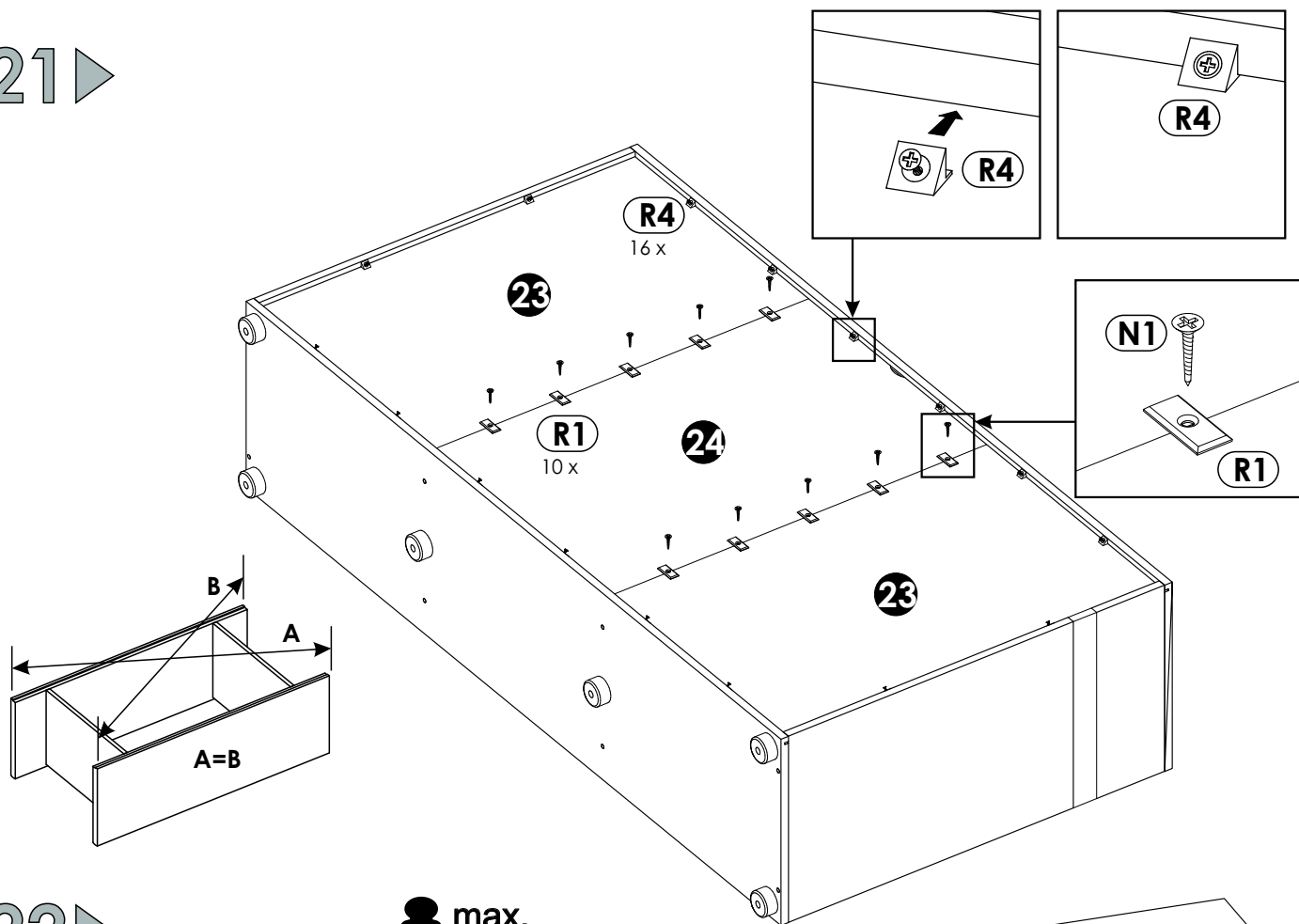
19 ▶



20 ▶



21 ▶



22 ▶

 max.
5 kg

